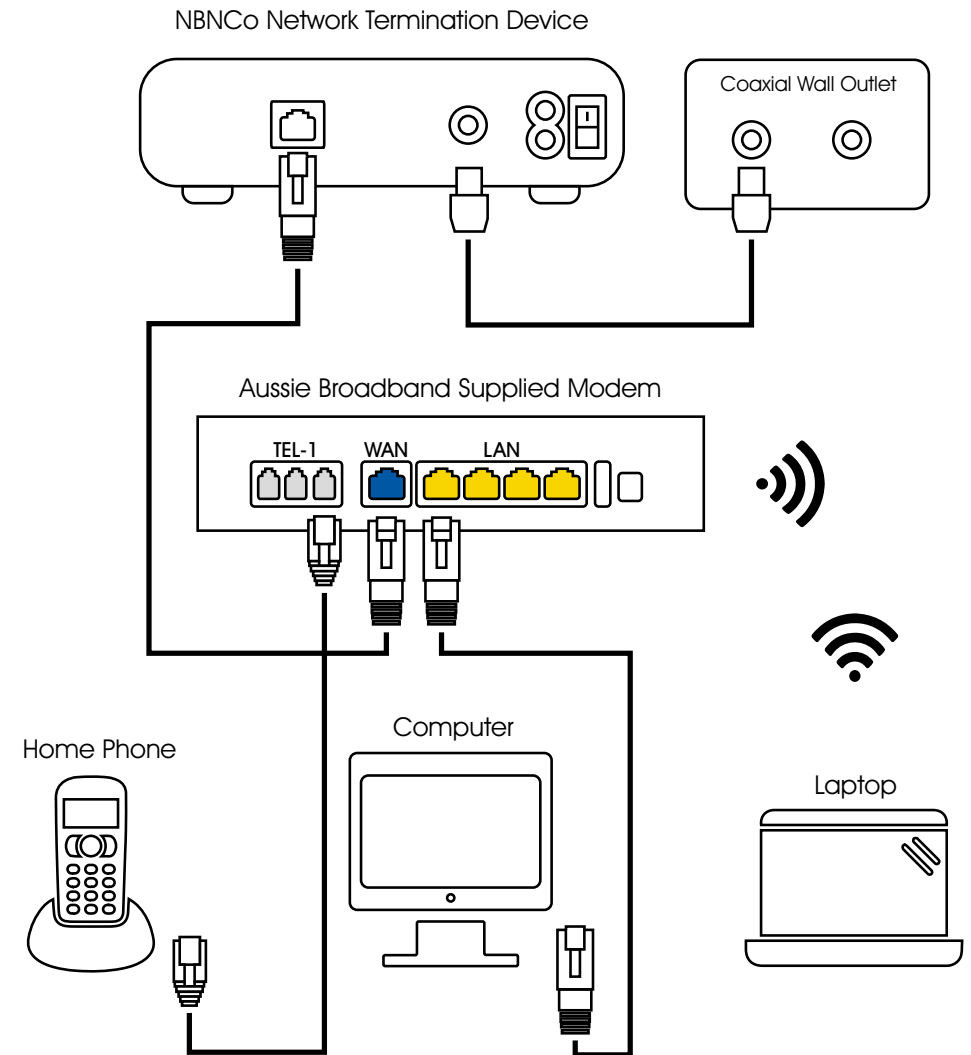


Aussie Broadband nbn™

HFC self installation guide



Getting to know your nbn™

Understanding the lights on your nbn™ connection box

Your nbn™ connection box has four indicator lights on the front panel and two on the data port (UNI-D1) on the back. During normal operation, the power, downstream, upstream and online lights on the front panel should always be solid green.

● On ● Flashing ● Off

Power

Indicates power is available to the box.

Downstream

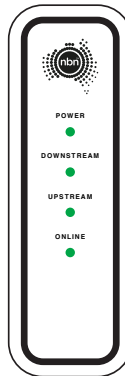
Indicates downstream connectivity.

Upstream

Indicates upstream connectivity.

Online

Indicates nbn™ network connection.



Startup sequence

Power	Power	Power	Power	Power	Power
●	●	●	●	●	●
Downstream	Downstream	Downstream	Downstream	Downstream	Downstream
●	●	●	●	●	●
Upstream	Upstream	Upstream	Upstream	Upstream	Upstream
●	●	●	●	●	●
Online	Online	Online	Online	Online	Online
●	●	●	●	●	●
No power to the nbn™ connection box	Power-on self test	Downstream search	Downstream found upstream search	Downstream and upstream found – retrieving setup information from nbn™	Ready for service

Configuring your modem/router

Configuring your Aussie Broadband modem/router for HFC

Login to the modem/router

1. Open a web browser.
2. Enter **192.168.20.1** into the address bar.
3. You will be prompted to either go through the setup wizard or skip to the main menu. Click "No, skip to main menu." and enter your username and password. If your modem/router has been factory reset, the username and password should both be 'admin'.
4. Click 'Internet' on the left-hand side of your screen.
5. Click 'Create New'.
6. For the 'Description' write 'Aussie Broadband'. Under 'Internet Service' select 'Ethernet WAN'. Then under 'Connection Type' select 'Dynamic IP'.
7. Click on the 'Apply' button.
8. Click on the 'Apply/Save' button.
9. Congratulations, you should now be able to access the internet (refer to page 3 of your Aussie Broadband nbn™ Connection Guide for wireless details).

Note – this is only needed if you have factory-reset your modem/router; otherwise, Aussie Broadband has pre-configured hardware specifically for your service.



"Instructions are subject to change based on firmware updates. For the latest step-by-step instructions (with images) visit aussiebroadband.com.au/hfcmodem

For more information or technical support call 1 300 880 905
aussiebroadband.com.au