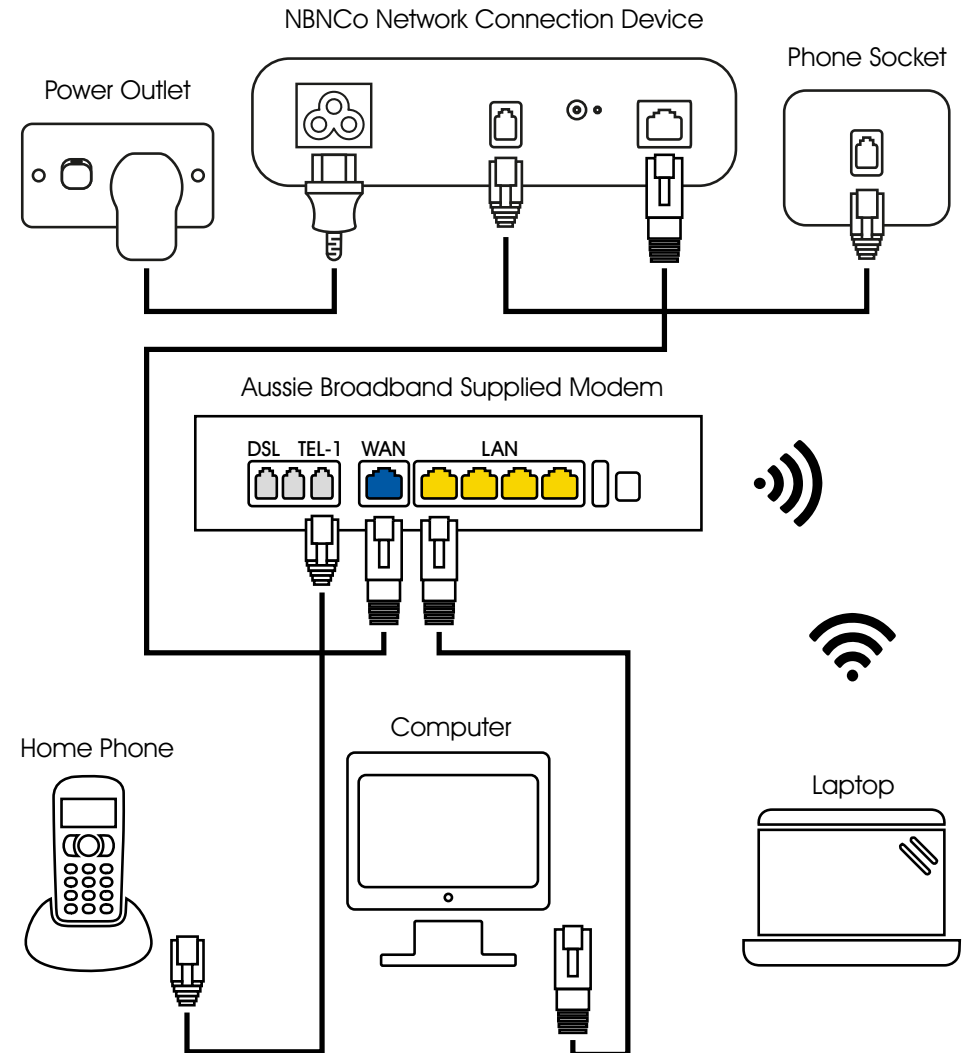


## Aussie Broadband nbn™

### FTTC self installation guide



# Getting to know your nbn™

# Configuring your modem/router

## Understanding the lights on your nbn™ connection box

Light	Colour	What's happening?	Action
Power	None	The device is off	Plug in the device and switch the power outlet on
	Blue	Power is running to the device	Nothing – this is normal
Connection	None	The device isn't connected to the nbn™ access network equipment outside your home	Check all cables have been connected correctly
	Blue (blinking)	The device is starting up	Wait for setup to complete (up to 30 minutes) – the light should then turn solid blue
	Solid blue	The device is connected to the nbn™ access network equipment outside your home	Nothing – this is normal
	Solid red (or blinking)	There may be a line fault or problem affecting the nbn™ connection device	Turn off power to the nbn™ connection device and contact your phone and internet provider
	Alternating red/blue	There may be a line fault, such as an off-hook telephone	Disconnect all non-compatible devices from telephone wall sockets – if that doesn't work, contact your phone and internet provider
Broadband	None	The device's broadband link is down	If the power and connection lights are solid blue, but the broadband light is out, contact your phone and internet provider
	Solid blue	The device is DSL synchronised	Nothing – this is normal
	Blue (blinking)	DSL synchronisation or a software update is in progress	Wait for the update to complete – the light should then turn solid blue
Local Area Network (LAN)	None	There is no Ethernet connection to the device	Check all cables have been connected correctly and your gateway is switched on
	Blue/amber (solid or blinking)	Data is flowing between the nbn™ connection device and your WiFi gateway	Nothing – this is normal

## Configuring your Aussie Broadband modem/router for FTTC

### Login to the modem/router

1. Open a web browser.
2. Enter **192.168.20.1** into the address bar.
3. You will be prompted to either go through the setup wizard or skip to the main menu. Click "No, skip to main menu." and enter your username and password. If your modem/router has been factory reset, the username and password should both be 'admin'.
4. Click 'Internet' on the left-hand side of your screen.
5. Click 'Create New'.
6. For the 'Description' write 'Aussie Broadband'. Under 'Internet Service' select 'Ethernet WAN'. Then under 'Connection Type' select 'Dynamic IP'.
7. Click on the 'Apply' button'.
8. Click on the 'Apply/Save' button.
9. Congratulations, you should now be able to access the internet (refer to page 3 of your Aussie Broadband nbn™ Connection Guide for wireless details).

**Note** – this is only needed if you have factory-reset your modem/router; otherwise, Aussie Broadband has pre-configured hardware specifically for your service.



Instructions are subject to change based on firmware updates. For the latest step-by-step instructions (with images) visit [aussiebroadband.com.au/fttcmodem](http://aussiebroadband.com.au/fttcmodem)

For more information or technical support call 1300 880 905  
[aussiebroadband.com.au](http://aussiebroadband.com.au)